

# UP & DOWN



Dimmable  
optional



50.000  
operating hours



Any RAL color  
possible

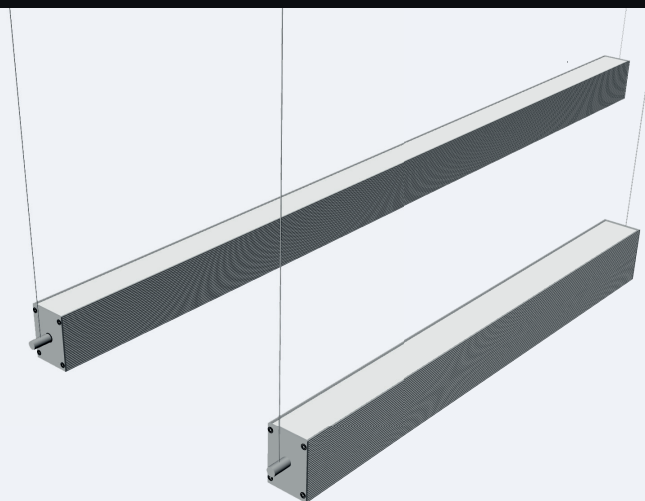


PowerFactor  
>0.9

## ABOUT THE UP & DOWN

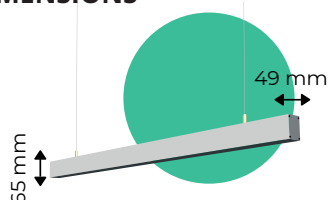
The Up & Down pendant is a stylish hanging luminaire commonly used in office spaces. The pendant is also available in the Down variant. In the Up & Down pendant, the light beam shines both upwards and downwards. The suspension connection for this variant is mounted on the side.

The pendant is available as standard in a round or linear type. Other shapes are also possible upon request. Choose the desired color temperature (Kelvin) with Tunable White and adjust the light intensity according to the needs of the moment.



CE IP20 IK04

## DIMENSIONS



## AVAILABLE VERSIONS

CODE	COLOR	WATT	LM/W	LUMEN DOWN	CRI (RA)	KELVIN	LUMEN UP	LENGTH MM
<b>IF.PE.DL.1200.041.830</b>	830	49.6	169	4.175	>80	3000	4.175	1200
<b>IF.PE.DL.1200.043.840</b>	840	49.6	178	4.399	>80	4000	4.399	1200
<b>IF.PE.DL.1200.044.850</b>	850	49.6	179	4.440	>80	5000	4.440	1200
<b>IF.PE.DL.1200.041.930</b>	930	62.2	134	4.178	>90	3000	4.178	1200
<b>IF.PE.DL.1200.043.940</b>	940	62.2	141	4.399	>90	4000	4.399	1200
<b>IF.PE.DO.1200.041.830</b>	830	24.8	169	4.175	>80	3000	-	1200
<b>IF.PE.DO.1200.043.840</b>	840	24.8	178	4.399	>80	4000	-	1200
<b>IF.PE.DO.1200.044.850</b>	850	24.8	179	4.440	>80	5000	-	1200
<b>IF.PE.DO.1200.041.930</b>	930	31.1	134	4.178	>90	3000	-	1200
<b>IF.PE.DO.1200.043.940</b>	940	31.1	141	4.399	>90	4000	-	1200

The above is an example configuration of 1200 mm. The profile can be applied in any length as desired. The maximum lumen level is specified. Lower levels are always possible.

